

XL-9221C

2D Wireless Barcode Scanner

Bluetooth+2.4G Wireless
Compact Design
Easy for Online Upgraded



Red LED



ARM



1D/2D



Mobile payment



640x480Pixel

Applications



Features

- ◆ 2200mAh battery support continuous scanning of 14 hours
- ◆ 2.4G+BT modes, stable and fast data transmitting to PC and mobile devices
- ◆ Good at reading high density and difficult barcodes
- ◆ Support multiple languages keyboards layout
- ◆ Ideal solution for stores, warehouses and logistics application

SUNLUX IOT TECHNOLOGY (GUANGDONG) INC.

Office Add: 4F, No.7, Kehui First Street, Science Road, Guangzhou, China

Tel: +86-20-32053765 Fax: +86-20-82115390 Website: www.xl-scan.com E-mail: overseas01@xl-scan.cn

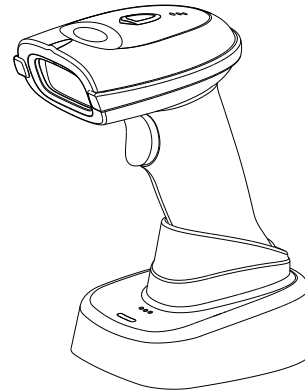


XL-9221C

Technical Parameters

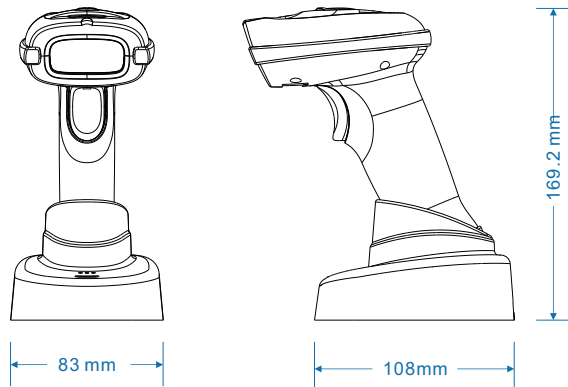
Performance Parameters

light source	White LED(Lighting) Red LED (Aiming)
CPU	32bit ARM
Image sensor	CMOS
Scan mode	Manual trigger & Automatic induction
COMS resolution	640x480 Pixels
Minmum resolution	≥4mil
Scanning speed	30 fps/s
Decoding depth of field	70~160mm(13mil code39)
Print Contrast	≥20%
Decoding capability	1D: Codabar、Code11、Code39、Code32、Interleaved 2 of 5、Industrial 2 of 5、Matrix 2 of 5、Code93、Code128、GS1-128、UPC-A、UPC-E、EAN 8、EAN 13、GS1 DataBar (RSS14)、GS1 DataBar Limited、GS1 DataBar Expanded、 2D: PDF417、Micro PDF417、QR Code、Micro QR、Data Matrix、Aztec Code



Physical Parameters

Size	Scanner: L*W*H= 176.5*73*102(mm) Charging base: L*W*H=108*83*65(mm)
Weight	Scanner:220g Charging base: 185g(Including cable)
Material	ABS+PC
Charging way	Contact charging、Type-C
Input voltage	DC 5V
Working current	250mah
Stand-by current	150mA
Working current (Charging base)	530mA
Stand-by Current (Charging base)	32mA
Battery capacity	2200mAh
Charging time	4H
Continuous battery life	14.5H
Interface	USB / USB-VCP
Indicator	LED indicator light, buzzer
Communication methods	2.4G wireless communication, Bluetooth wireless communication
Communication distance	2.4G mode: 100M (open space) Bluetooth mode: 10M (open space)



Other Parameters

Temperature (Operating)	-10°C~50°C
Humidity (Operating)	Relative humidity 5%~95%(no condensation)
Temperature (Storage)	-20°C~60°C

*XL-9221C-03/23B-V.1.0.0