

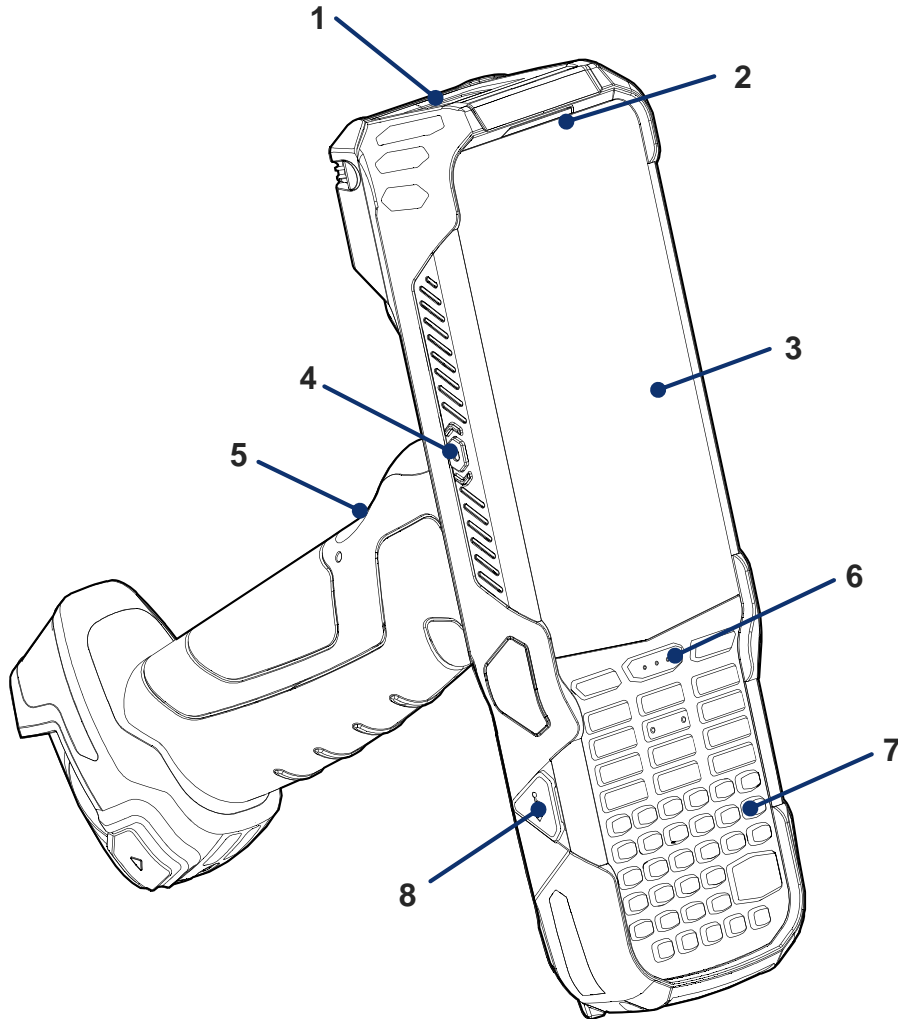
Quick Start Guide

PM560

V2.0, Mar 2023
Copyright © 2023 Point Mobile Co., Ltd. All rights reserved.
Point Mobile Co., Ltd. is the designer and manufacturer of mobile handheld devices.
The Point Mobile logo is a registered trademark and symbol of Point Mobile Co., Ltd.
Features and specifications are subject to change without prior notice.

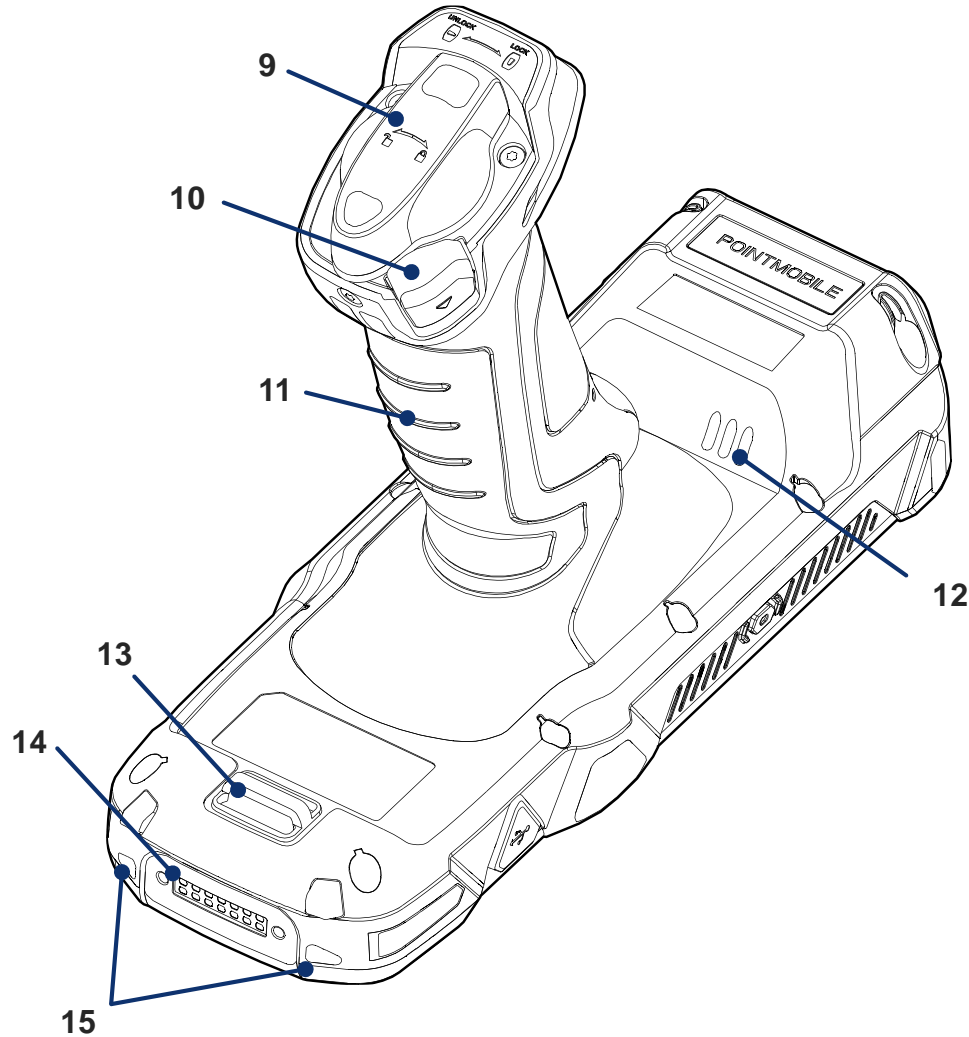


Device Parts



1. Scanner
2. Front LED indicators
3. Touch screen
4. Power button
5. Scan button (Gun handle)
6. Scan button (Front)
7. Keypad
8. USB connector

Device Parts



- 9. Battery
- 10. Battery release button
- 11. Gun handle
- 12. Speaker
- 13. Hand strap hole
- 14. I/O connector
- 15. Bottom LED indicators

Product Standard Accessories



Battery pack



5V 2A power adapter



AC Plug



USB type C cable



Hand strap

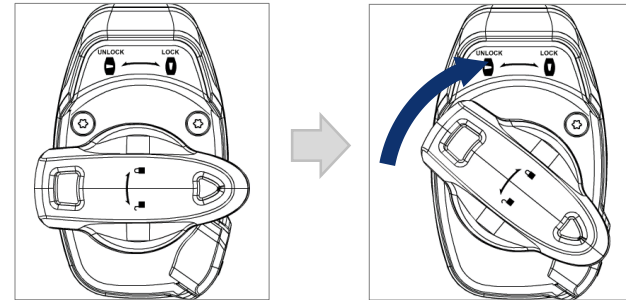


LCD protection film

Battery Replacement

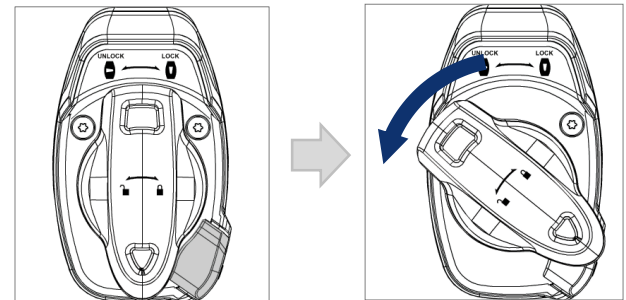
Insert Battery

1. Insert the battery into the gun handle with the battery end aligned horizontally.
2. Turn the battery clockwise until the battery release button is fully raised.

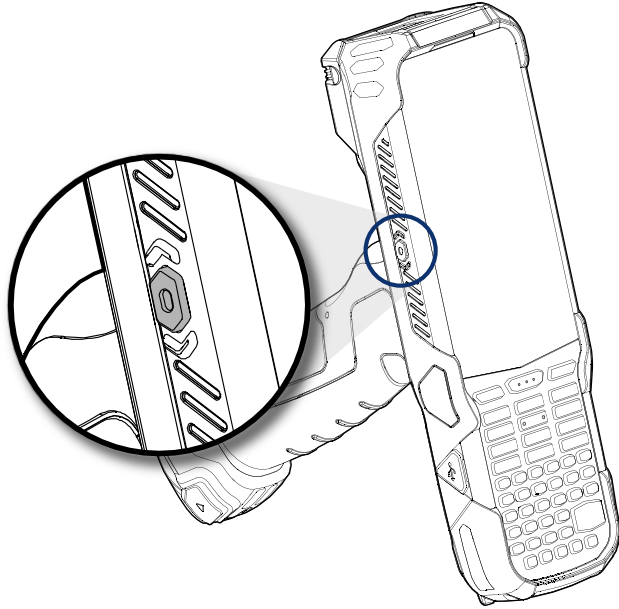


Remove Battery

1. While pressing the battery release button, turn the battery counterclockwise.
2. Pull out the battery.



Turning on / off



Turn on

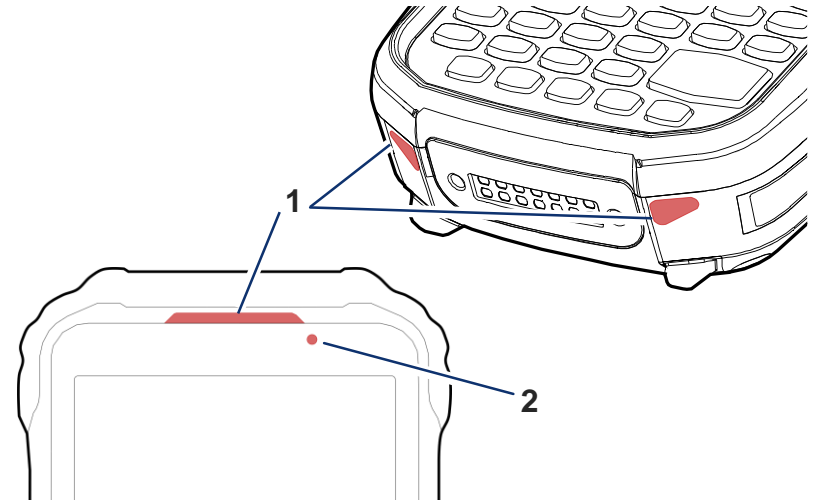
Press and hold the power button on the left side of the PM560 until **SMART BEYOND RUGGED** logo displays on the screen.

Turn off

When the display is on, press and hold the power button until the power menu is shown.

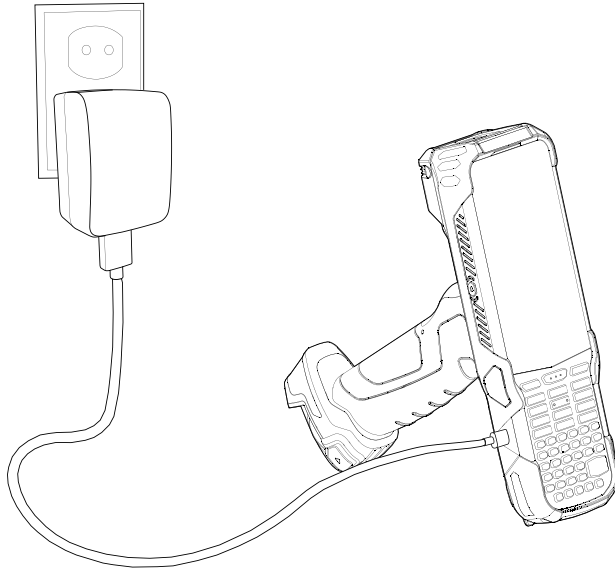
Then, tap **Power off**.

LED Indicator



No	Indicator	Status	Indication
1	Notification LED	Solid red	Device entered hot swap mode
		Blinking blue	Notification existing
		Red flash	Barcode reading failed
		Blue flash	Barcode reading success
2	Power LED	Solid green	Device is fully charged
		Solid red	Charging the device / Battery is low
		Blinking red	Charging temperature is out of normal range / Battery is very low
		Alternately blinking red & green	Cannot recognize the battery

Charging the Device

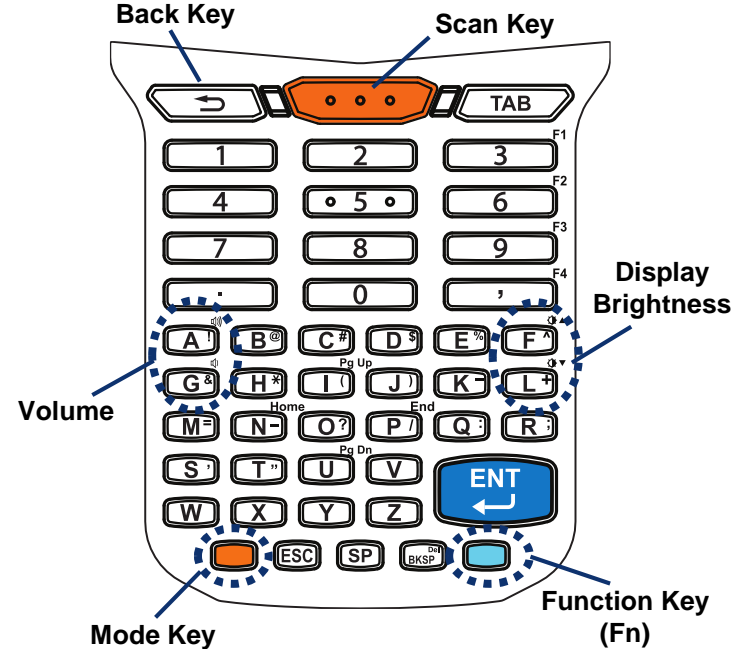


1. Open the USB connector cap using the hole on the cap.
 2. Assemble the AC plug, power adapter and USB cable.
 3. Connect the cable to the USB connector of PM560.
 4. Provide power by plugging the power adapter to the wall socket.
- PM560 can also be charged with charging cradle (sold separately).

< Caution >

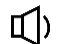
1. Always use an original power supply from Point Mobile. Other chargers and cables may damage the PM560. The device warranty does not cover any damage caused by the usage of non-original power supplies.
2. Make sure the charger and cable is not wet.

Keypad




Volume Control

Volume Up  – Fn + A

Volume Down  – Fn + G

Display Brightness Control

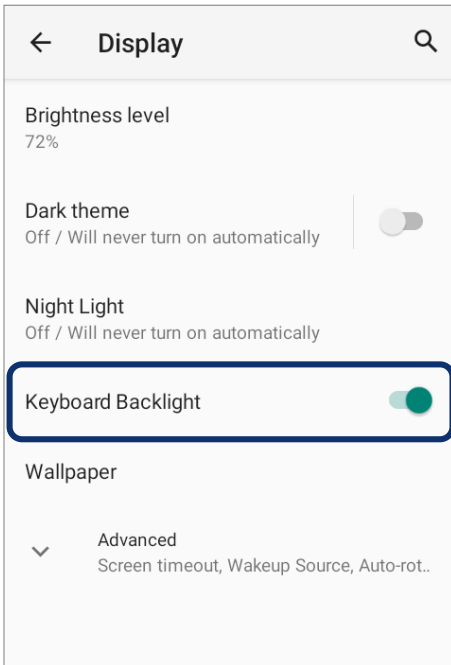
Brightness Up  ▲ – Fn + F

Brightness Down  ▼ – Fn + L

Using Keyboard Backlight


Use keyboard backlight when the keypad is not visible in the dark place.

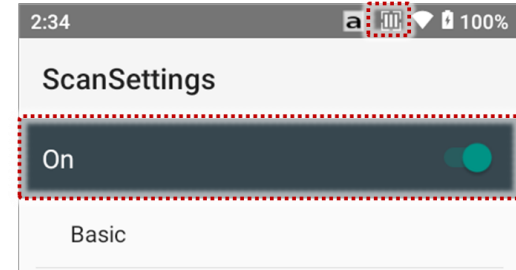
1. Go to **Settings**  > **Display** 
2. Turn the Keyboard Backlight switch on.



Scan a Barcode

Scanner is disabled by default, so enable the scanner from **ScanSettings** first.

Check if the scanner icon  is placed on the Status bar. Then, press a scan button on the device to scan a barcode.



Center the cross-hair aimer over the barcode. You can tilt the aimer slightly for a comfortable angle to scan.



N6703 Scanner SKU



SE4750 Scanner SKU



N6803 Scanner SKU