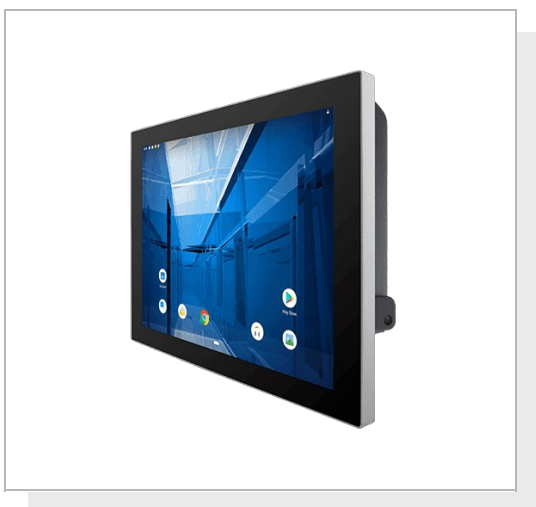


R15IM3S-GCC3

15" ARM A53 G-WIN GC-Series Front IP65 PCAP Panel PC



KEY FEATURES

- ARM A53 Quad Core 2.0GHz CPU
- Fanless cooling system and ultra-low power consumption
- Front IP65 for protection against water and dust
- A true flat, easy-to-clean front surface with edge-to-edge design
- Plenty of I/O, including 1 x Micro USB, 2 x USB 2.0; 1 x RS232/422/485; 1 x RJ45; 1 x Micro SD Slot; 1 x Micro HDMI (Optional)
- Support Android or Linux operating system



SPECIFICATIONS

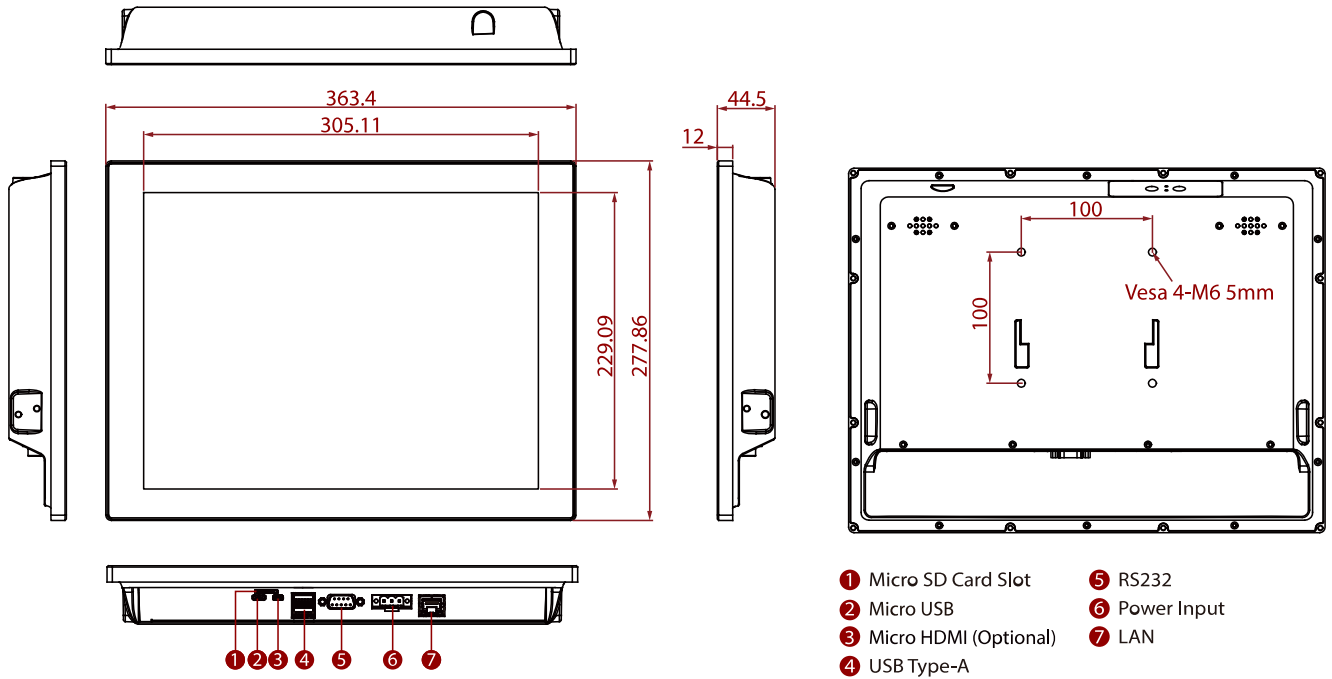
Display			
Touch / Glass	Projected Capacitive Multi Touch Screen	Resolution	1024x768
Size	15 inches	Contrast Ratio	2000:1
Panel Brightness	300 nits 1000 nits(Optional)	View Angles	88,88,88,88
Active Area	304.1x228.1 mm		
System Specification			
WLAN	Support (Optional)	BT	Support (Optional)
Processor	ARM A53 Quad Core 2.0GHz	Memory	4GB LPDDR4
Storage	32GB eMMC	Operating System	Android 11 (Upgradeable to Android 13) Linux Yocto 5.10.104 with QT 5.15 Linux Ubuntu (in 2023) (Optional)
Mechanical			
Dimension	363 x 278 x 45 mm	Mounting	Panel Mount VESA Mount
Enclosure	Aluminum	Cooling System	Fanless design
Cut out	349x263 mm		
Environment			
Operating Humidity	10% to 90% (noncondensing)	Operating Temperature	0~50°C
Storage Temperature	-20~60°C	Shock	MIL-STD-810G Method 516.6
Vibration	MIL-STD-810G Method 514.6	IP rating	Front IP65
Certification			
Certification	CE, FCC		
IO Ports			
USB Port	2 x USB 2.0 Type A 1 x Micro USB 2.0 OTG	Serial Port	1 x RS232/422/485 (Default RS232)
SD Card Slot	1 x Micro SD card slot (Max to 32GB)	Video	1 x Micro HDMI Output (Optional)
Audio	2 x Speaker (Optional)	LAN	1 x LAN 10/100/1000 Mbps
Accessory			
Accessory	Quick Start Guide(Hardcopy)		

AC Adapter 12V/50W
 Power Cord
 3 Pin Terminal Block to DC Jack

Power			
Power Rating	12V DC with Terminal Block 9~36V (Optional)	Adapter	12V 50W
Control			
Button	1 x Power Button (Optional)		

DIMENSIONS UNIT:MM

Winmate R15IM3S-GCC3



NOTE

1. This is a simplified drawing and some components are not marked in detail.
2. Please contact our sales representative if you need further product information.
3. The product shown in this datasheet is a standard model. For diagrams that contain customized or optional I/O, please contact the Winmate Sales Team for more information.
4. All specifications are subject to change without prior notice.