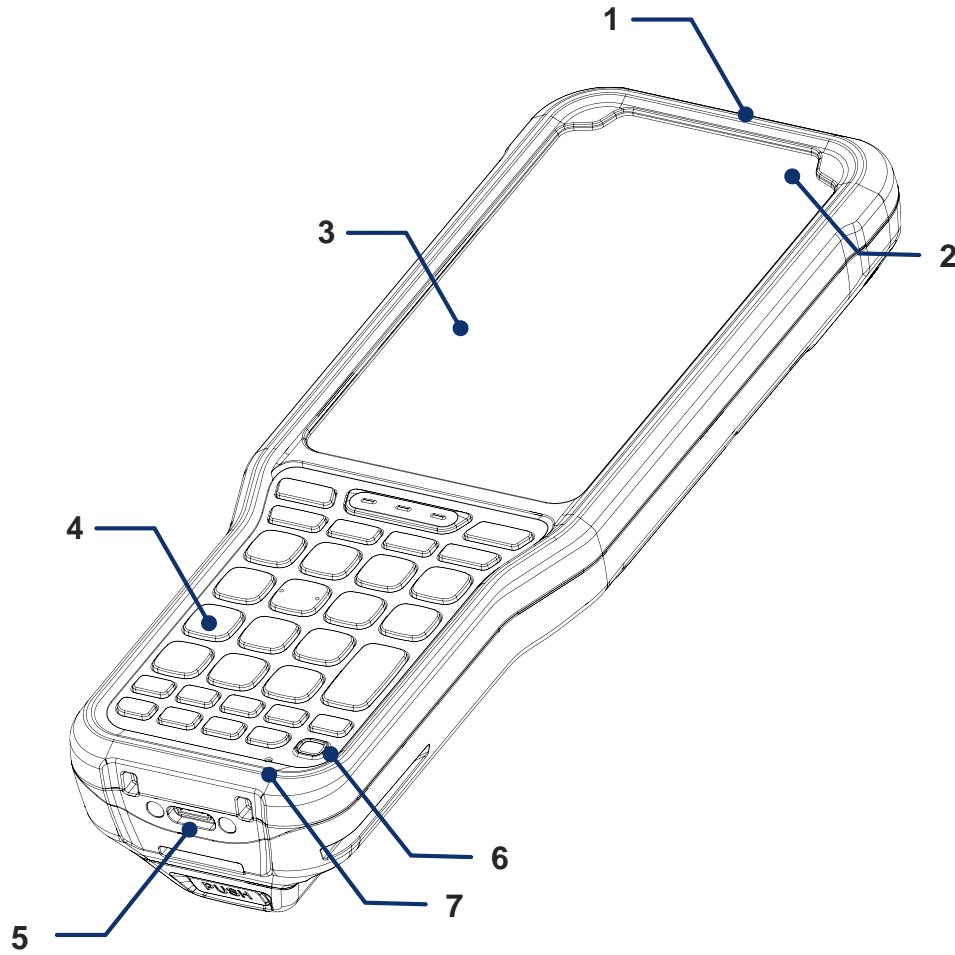


Quick Start Guide

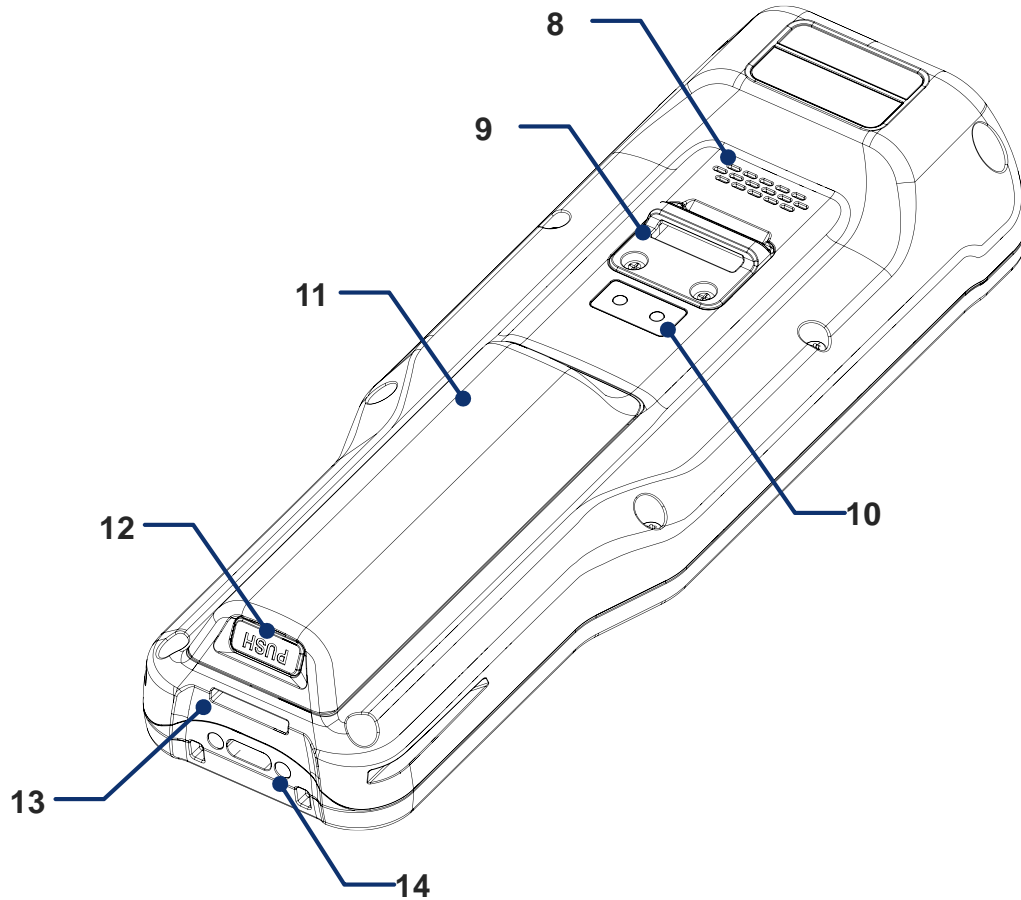
PM351

Device Parts



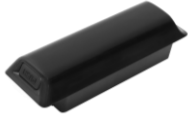
1. Scanner & Camera
2. LED indicator
3. Touch screen
4. Keypad
5. USB connector
6. Power button
7. Microphone

Device Parts



- 8. Speaker
- 9. Hand strap hole (Top)
- 10. I/O connector (Rear)
- 11. Battery
- 12. Battery release button
- 13. Hand strap hole (Bottom)
- 14. I/O connector (Bottom)

Product Standard Accessories



Battery pack



5V 2A power adapter



AC Plug



USB type C cable



Hand strap



Stylus pen

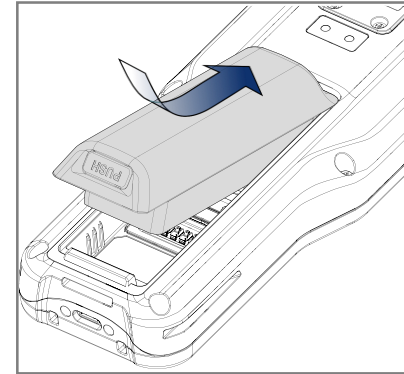


LCD protection film

Battery Replacement

Insert Battery

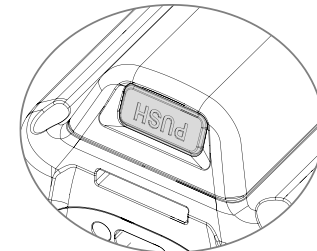
1. Align the battery release button to the bottom side. And insert the battery from the top side of the device.
2. Push the battery down until it clicks, and check if the battery is firmly engaged.



Caution: Make sure the SIM and SD card holders are completely closed before inserting the battery.

Remove Battery

Pull up the bottom side of the battery while pressing the battery release button.

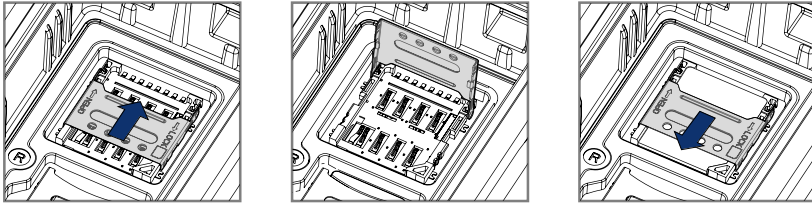


Installing SIM, SD card

PM351 supports micro SIM and microSD card. (SIM card is supported by LTE SKU only.)

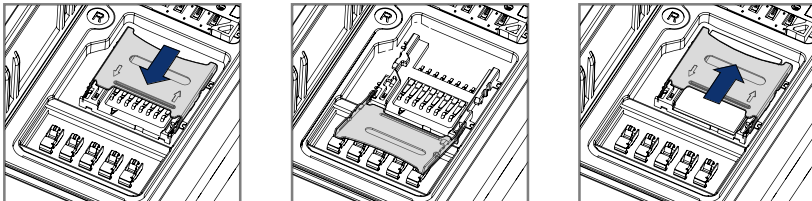
SIM card

1. Gently slide the cardholder up, and swing upwards.
2. Put the SIM card facing down the gold contact.
3. Close the holder down and slide it down to lock.

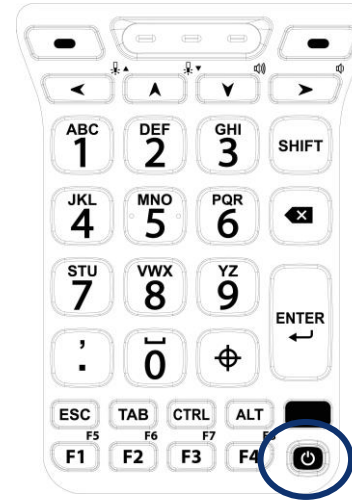


SD card

1. Gently slide the cardholder down, and swing upwards.
2. Put the SIM card facing down the gold contact.
3. Close the holder down and slide it up to lock.



Turning on / off



Numeric



Alpha-Numeric

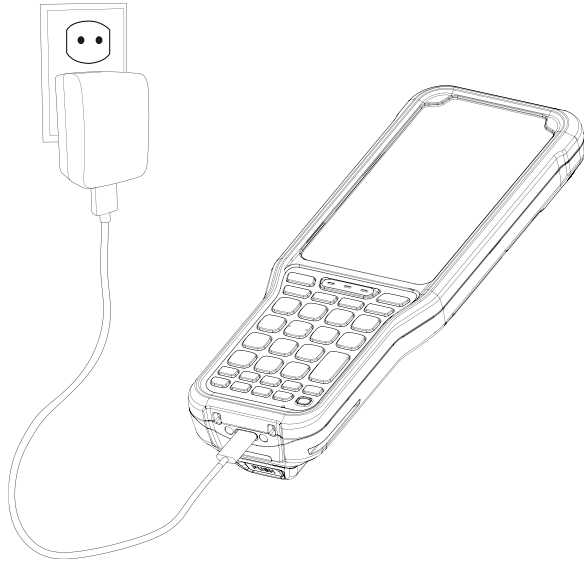
Turn on

Press and hold the **Power** button on the keypad until **SMART BEYOND RUGGED** logo displays on the screen.

Turn off

When the screen is on, press and hold the **Power** button until the power menu is shown. Then, tap **Power off** among the menu.

Charging the Device



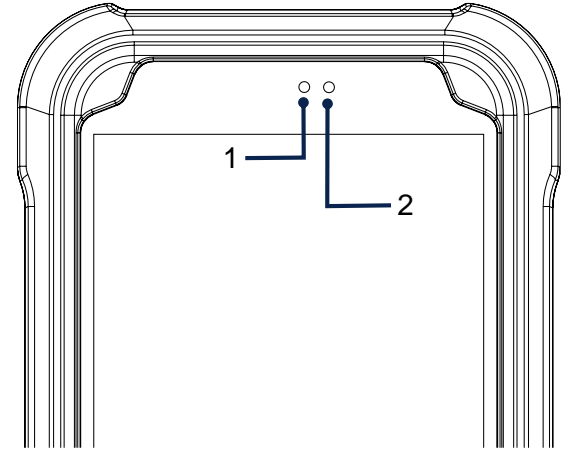
1. Assemble the AC plug, power adapter and USB cable.
2. Connect the cable to the USB connector of PM351.
3. Provide power by plugging the power adapter to the wall socket.

PM351 can also be charged with charging cradle (sold separately).

< Caution >

1. Always use an original power supply from Point Mobile. Other chargers and cables may damage the PM351. The device warranty does not cover any damage caused by the usage of non-original power supplies.
2. Make sure the charger and cable is not wet.

LED Indicator

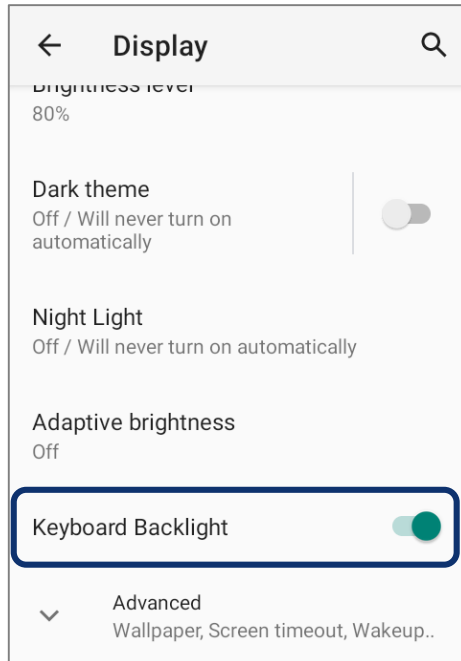


No	Indicator	Status	Indication
1	Power LED	Solid green	Device is fully charged
		Solid red	Charging the device / Battery is low
		Blinking red	Charging temperature is out of normal range / Battery is very low
		Alternately blinking red & green	Cannot recognize the battery
2	Notification LED	Solid red	Device entered hot swap mode
		Blinking blue	Notification existing
		Red flash	Barcode reading failed
		Blue flash	Barcode reading success

Using Keyboard Backlight

Use keyboard backlight when the keypad is not visible in the dark place.

1. Go to **Settings**  > **Display** 
2. Turn the Keyboard Backlight switch on.



Scan a Barcode

Scanner is placed on the top of the PM351.

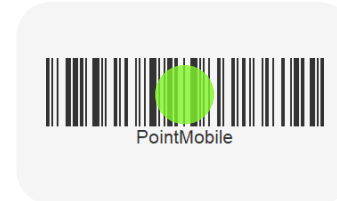
Scanner is disabled by default, so enable the scanner from **ScanSettings** first.

Then, press a scan button on the device to scan a barcode.

Center the aimer (laser bar, green dot, or red dot) over the barcode.



SE965 Scanner SKU



SE4100 Scanner SKU



SE4710 Scanner SKU