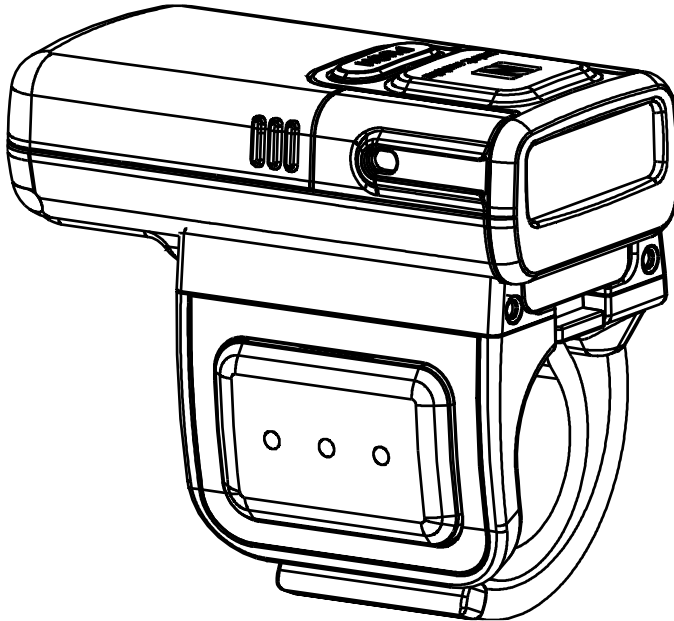


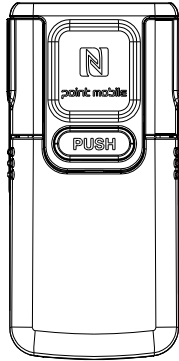
Quick Start Guide

PM5

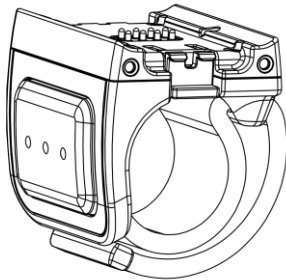
(Single trigger SKU)



Standard Package

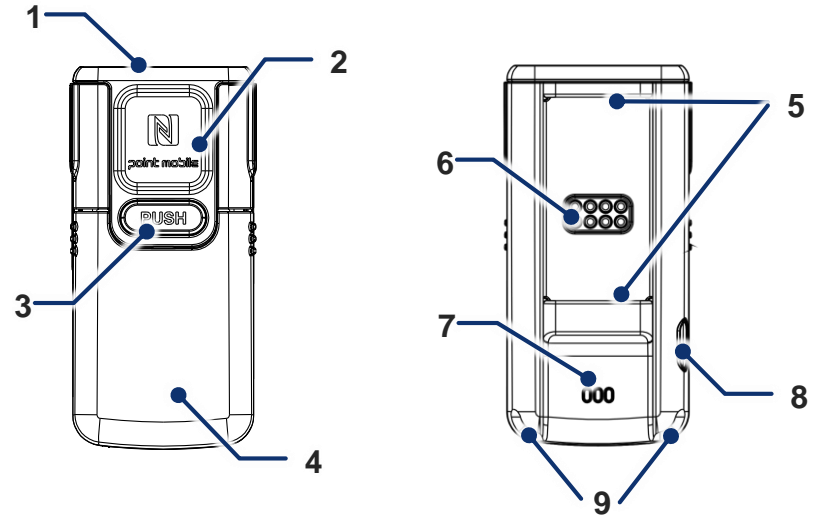


PM5 Ring Scanner
with battery pack



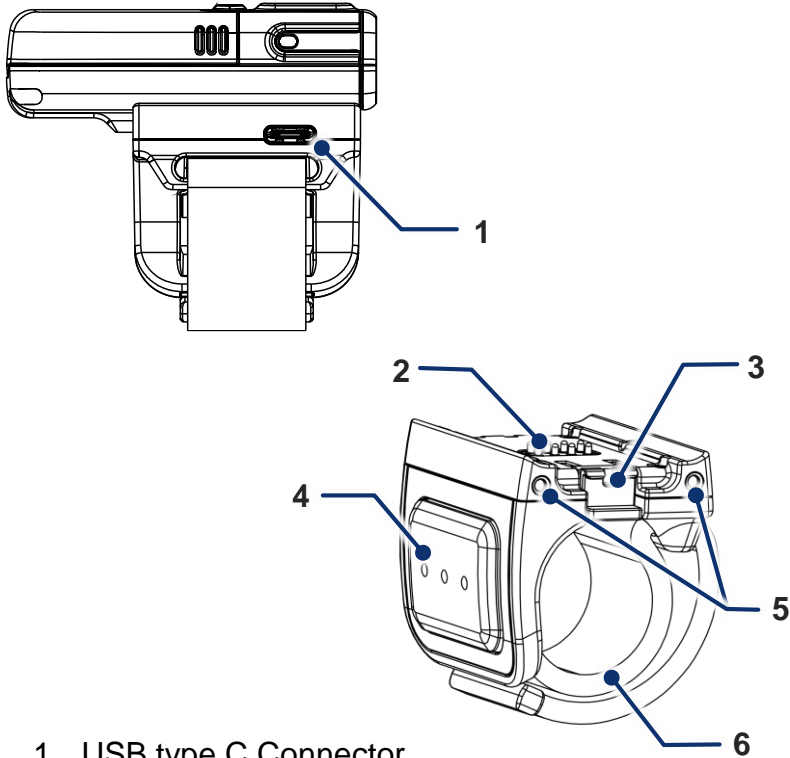
Single Trigger

Ring Scanner Parts



1. Scanner
2. NFC tagging area
3. Battery release button
4. Battery
5. Trigger assembly latch
6. Trigger connector pin
7. Speaker
8. Reset button
9. LED Indicators

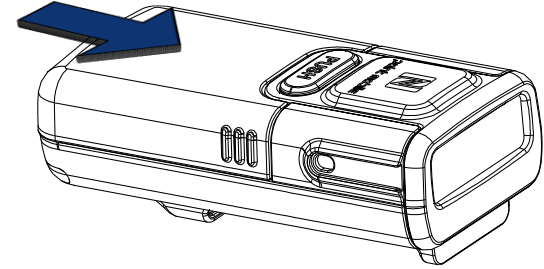
Single Trigger Parts



1. USB type C Connector
2. PM5 connector pin
3. Trigger locker
4. Trigger scan button
5. Cradle charging connector
6. Finger strap

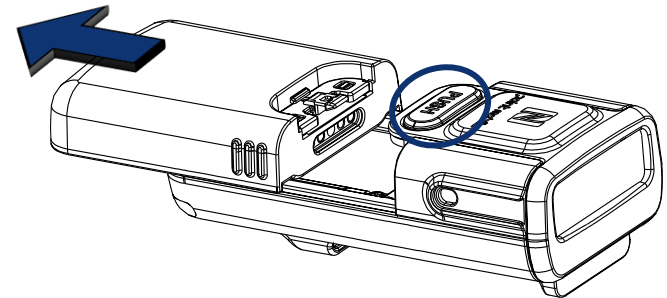
Battery Replacement

Install Battery



1. Align the connector on the PM5 with the connector on the battery
2. Slide and press the battery into the battery slot so that the battery is firmly engaged

Remove Battery

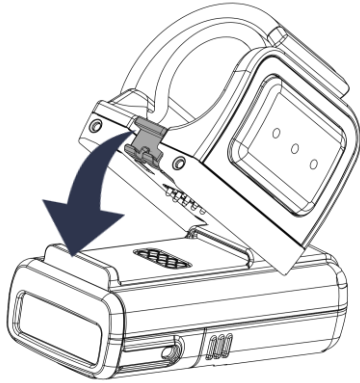


Pull the battery while pressing the battery release button.

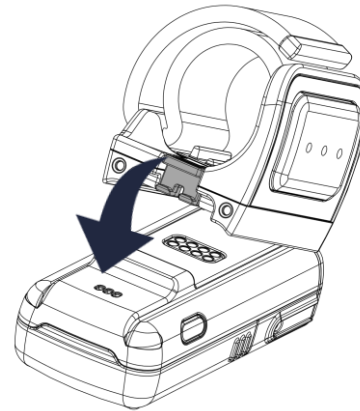
Assemble Single Trigger

PM5 with trigger can be worn on the index finger like a ring and is designed for ambidextrous use. Determine which hand do you wear PM5, and assemble trigger with right orientation.

1. Align the trigger so that the trigger scan button is positioned next to the thumb
2. Insert the opposite side of trigger locker to PM5's trigger assembly latch first

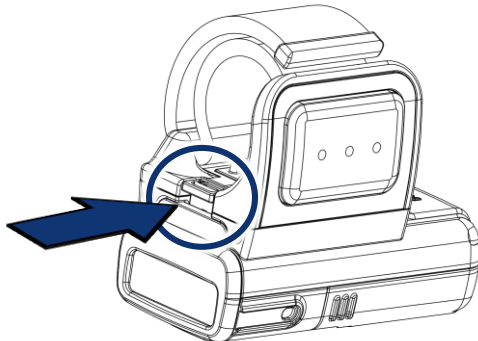


Left hand mount

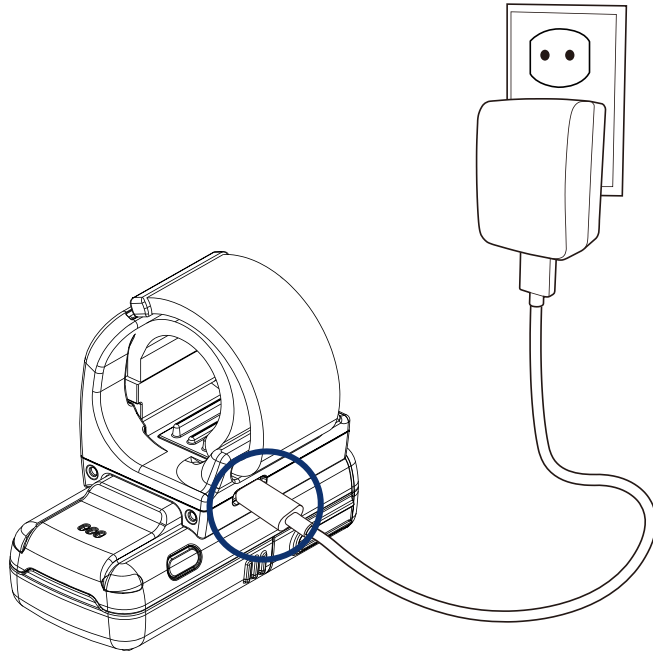


Right hand mount

3. Push the other end down until it clicks. Make use that the trigger is engaged firmly
4. To remove the trigger, press the trigger locker and pull the trigger up.



Charging via Power Adapter

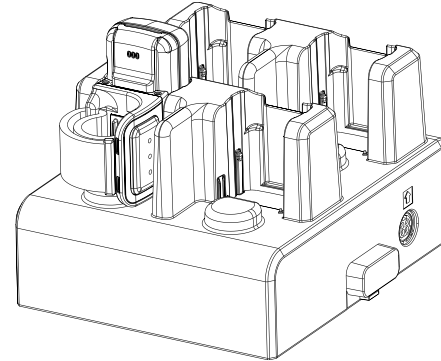


1. Assemble the single trigger
2. Plug the USB type C cable to USB connector on the trigger and provide power through power supply
3. Confirm the connection with PM5's LED indicator (Red – Charging / Green – Fully charged)

<Note> Before using PM5 for the first time, charge the scanner at least 1 hour for stable operation.

Charging via Cradle (4SC, 8SBC)

You can charge the PM5 and the battery with charging cradles, 4SC and 8SBC (Sold separately).

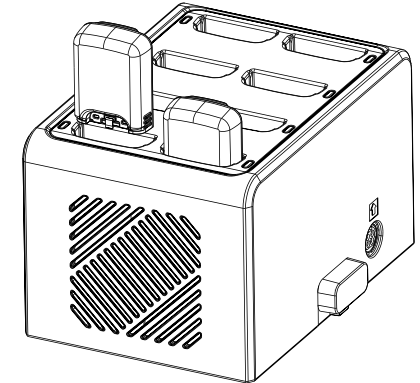


4SC

Insert PM5 into cradle. Single trigger must be assembled to use 4SC.

8SBC

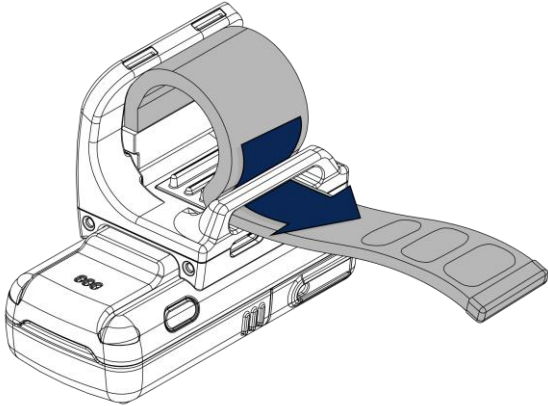
Detach battery from PM5 and insert into cradle.



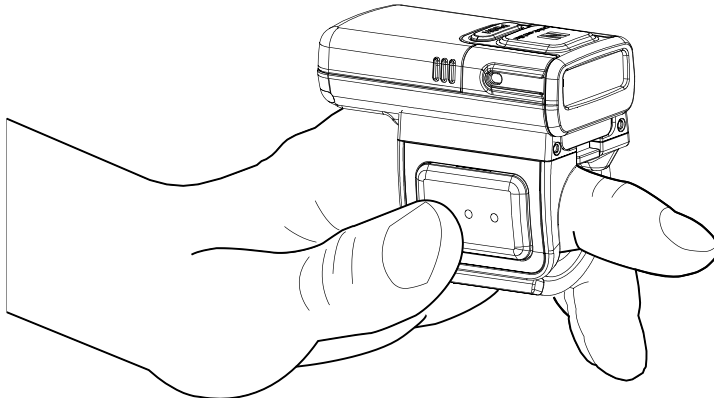
The cradles can connect up to 5 pcs, in one type only or two different types (4SC + 8SBC). You can charge more PM5 and batteries using it at the same time.

Wearing on PM5

1. Insert the end of finger strap into the hole on the single trigger



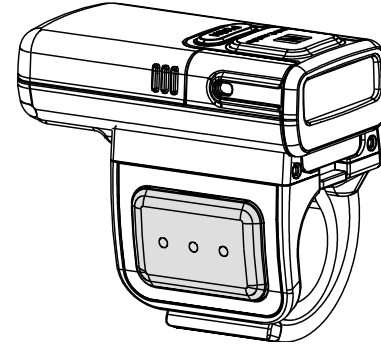
2. Wear PM5 with trigger on the index finger as the scan button facing the thumb
3. Tighten the finger strap



Power On & Warmboot

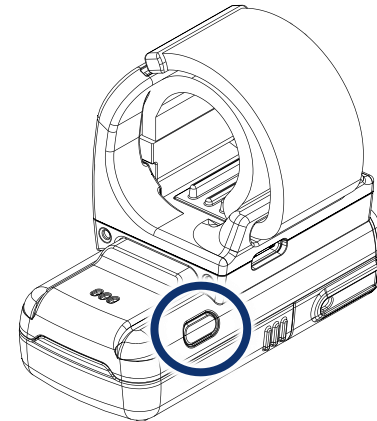
Power On

Install battery and press and release scan button on single trigger.



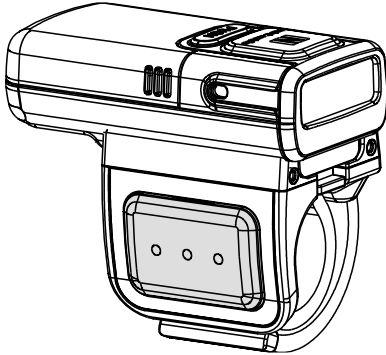
Warmboot

To reboot the PM5, press reset button for 3 seconds.



Barcode Reading

To scan a barcode, aim the barcode while pressing the scan button on the single trigger.



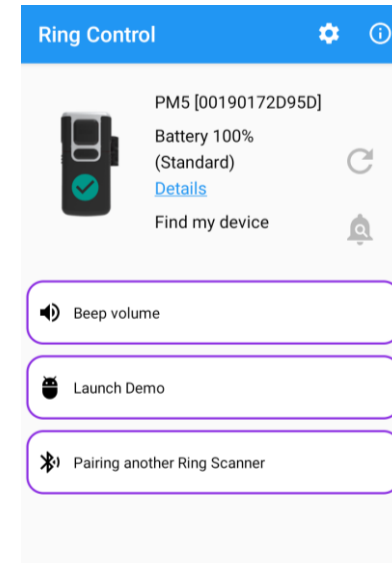
Aim the barcode so the center cross is centered on the barcode, and the whole barcode is inside the rectangle.



Install Ring Control (Lite)

Connect PM5 with host device and control the configuration of the ring scanner using Ring Control or Ring Control Lite app.

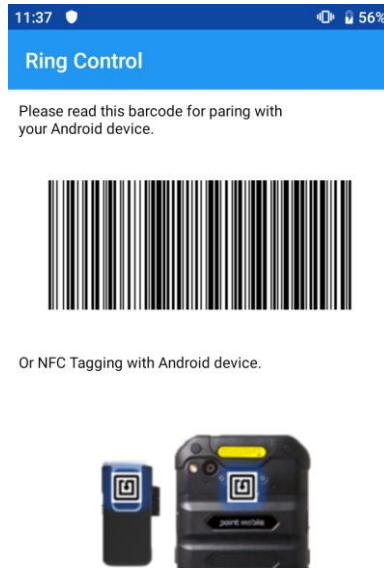
1. Log in to [Service Portal](#) and go to the Download board.
 2. Find a post about PM5 resources or Ring Control application.
 3. Download and install Ring Control (Lite).
- **Ring Control** - Only compatible with Point Mobile devices
 - **Ring Control Lite** – Compatible with other Android devices



Bluetooth Connection

There are two ways for connection between ring scanner and host device, Scan-to-Pair and Tap-to-Pair. Choose more comfortable method.

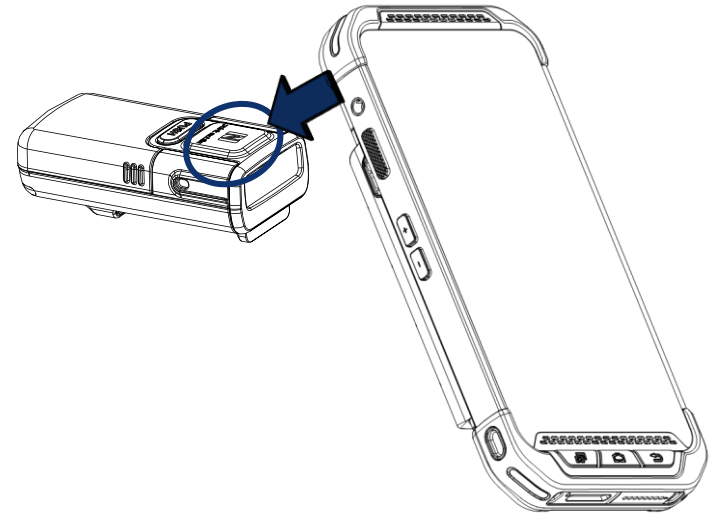
Scan-to-Pair



Scan the barcode provided by Ring Control (Lite) to make connection between host device and PM5.

Scan-to-Pair is supported on SPP mode only.

Tap-to-Pair



Tap the PM5's NFC tagging area to the NFC antenna on the host device. Above figure indicates how to Tap-to-Pair between PM85 and PM5.

Tap-to-Pair is supported on SPP mode and HID mode, both.

Status Indication

Check PM5's status with beep sound and LED as below.

Category	Description	LED Sequence	Beep Sequence
Booting	PM5 is powered on	Green (Until the beep sequence ends)	Short low → Short medium → Short high
	PM5 is booting as warmboot	Blue	None
	PM5 is booting after factory reset	Red	None
Low battery warning	Battery is low (Less than 20%)	Red (Until the beep sequence ends)	4x Short high
Battery Level (Press Reset button to activate)	Battery level is more than 20%	Green (For 5 seconds)	None
	Battery level is between 10 % and 20%	Blue (For 5 seconds)	None
	Battery level is less than 10%	Red (For 5 seconds)	None
Charging	Charging battery	Green	None
	Fully charged	Red	None
Bluetooth Communication	Bluetooth connected	Green	Short medium → Short high
	Bluetooth disconnected	Red	3x high

Status Indication (Continued)

Check PM5's status with beep sound and LED as below.

Category	Description	LED Sequence	Beep Sequence
Firmware Update	Updating firmware	Blue blinking	None
Scanning	Decoding success	Green flash	Short low
	Decoding success and Bluetooth is not connected	Red	3x Short low
	Decoding fail	Red flash	Short medium → High
Temperature warning	Battery temperature is low (Under 0 °C)	Red	High → Low → High → Low
	Battery temperature is critical low (Under -5 °C & Voltage is under 3.8V)	None	High → Middle → Middle → Low (Then shutdown)

Regulatory

For European Community Users

We have included this bulletin to comply with Directive 2012/19/EU of the EUROPEAN PARLIAMENT AND OF THE COUNCIL of 4 July 2012 on Waste Electrical and Electronic Equipment (WEEE).

This product has required the extraction and use of natural resources for its production. It may contain hazardous substances that could impact health and the environment, if not properly disposed.

In order to avoid the dissemination of those substances in our environment and to diminish the pressure on the natural resources, we encourage you to use the appropriate take-back systems for product disposal.

Those systems will reuse or recycle most of the materials of the product you are disposing in a sound way.



The crossed out wheeled bin symbol informs you that the product should not be disposed of along with municipal waste and invites you to use the appropriate separate take-back systems for product disposal.

If you need more information on the collection, reuse, and recycling systems, please contact your local or regional waste administration.

You can also contact your supplier for more information on the environmental performances of this product.

CE Compliance (for EU only)



This product is labeled with the CE mark in accordance with the provisions of the applicable RoHS Directive 2011/65/EU for this product and the electric accessories.