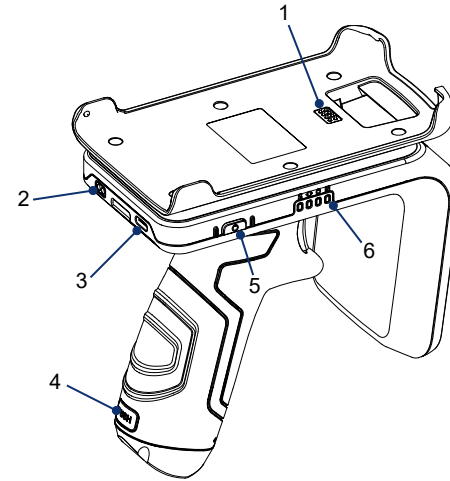


# Quick Start Guide

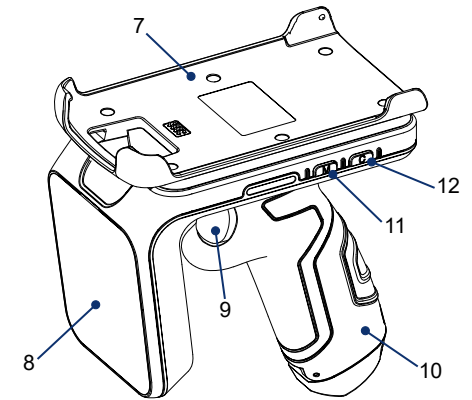
## RF300



### Device Parts



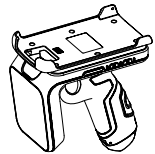
1. Connector for communication with PM30
2. Connector for cradle charging
3. USB Type C connector
4. Battery release button
5. LED indicator
6. Power button



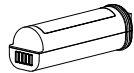
7. PM30 retention fixture
8. UHF RFID Antenna
9. Trigger button
10. Battery slot
11. Trigger mode change button
12. Connect mode change button

V02 February 2021  
Copyright 2021 Point Mobile Co., Ltd. All rights reserved.

### Standard Package



RF300



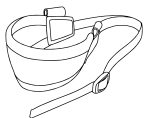
3250mAh Battery



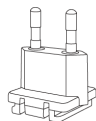
5V / 2A Power Adapter



USB Type C Cable

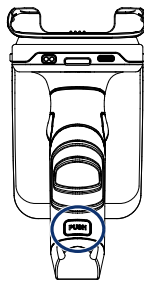


Hand Strap

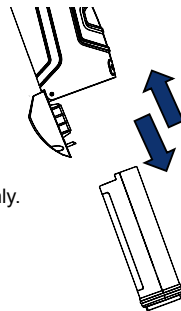


AC Plug

### Battery Replacement



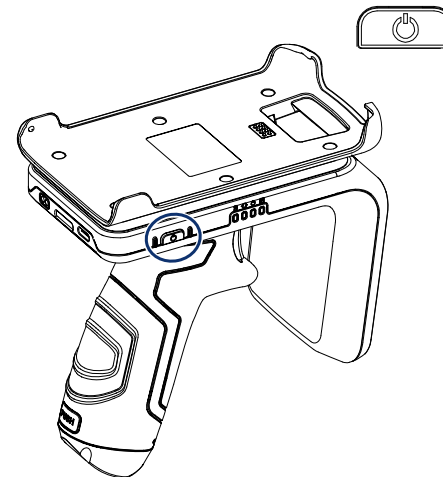
1. Press Battery release button on the back of the handle to open the battery cover.



2. Remove the battery and replace it. Then, close the cover firmly.

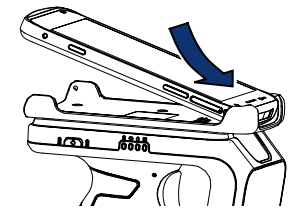
### Turn On / Off Device

To turn on or off the RF300, press and hold the power button at least 2 seconds.

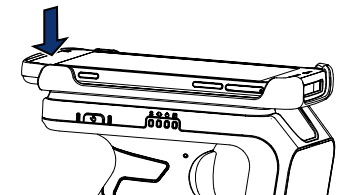


### Install PM30

1. Insert the PM30 into the retention fixture of RF300 from the top.



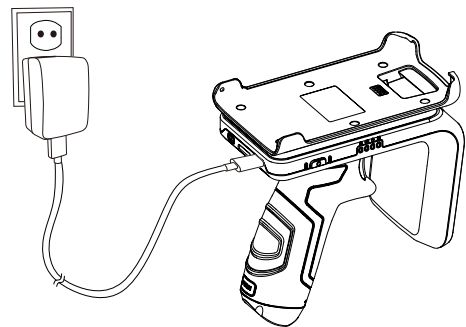
2. Push the bottom of PM30 down.



3. To remove, hold the retention fixture and pull up the bottom side of PM30.

## Charging the device

### Using power adapter

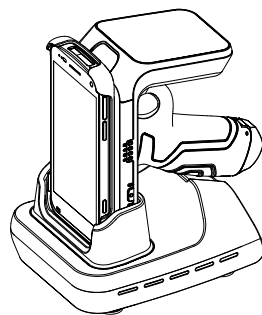


1. Assemble the power adapter and USB type C cable.
2. Connect the cable to RF300's USB connector.
3. Plug the power adapter to power outlet.

#### <Note>

When adapter is connected to RF300 with PM30 mounted, RF300 is charged first.  
(In case of connecting PC, only RF300 is charged.)

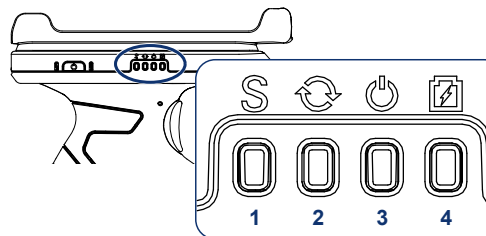
### Using cradle (SSC)



Charge RF300 with PM30 mounted through the cradle cradle, SSC (sold separately).  
Place the device into the cradle as shown in the figure above.

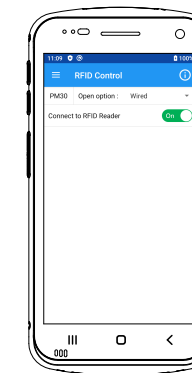
With cradle, PM30 and RF300 will be charged at the same time.

## LED Indicator



1	Trigger-Mode LED	Turned off	UHF RFID mode
		<b>Solid red</b>	Barcode scan mode
2	Connect-Mode LED	Turned off	Wired communication mode
		<b>Solid red</b>	Bluetooth communication mode
3	State LED	<b>Solid red</b>	Power on
		<b>Solid green</b>	Bluetooth or Wired Connected
4	Charging LED	<b>Solid red</b>	Charging RF300
		<b>Solid green</b>	RF300 is fully charged
		<b>Alternately blinking red &amp; green</b>	Battery fault
		<b>Solid amber</b>	Charging PM30
		<b>Blinking red</b>	Low battery / Charging temperature is too high or low

## RFID Control Application



Using RFID Control app, connect RF300, and update the configuration and firmware of RF300.  
RFID Demo app which demonstrates RFID reading function is included.

Download the app and firmware from Service Portal and install on PM30.

## Connect with PM30 (Wired)



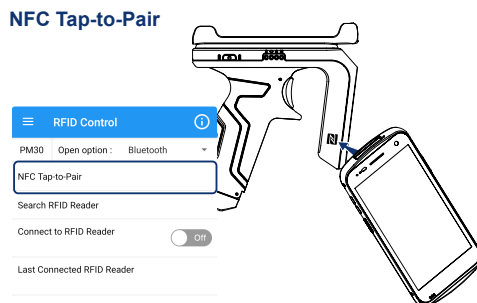
Wired communication is a default connect mode for RF300 and PM30.

1. Install PM30 to RF300.
2. Launch **RFID Control** and tap **Connect to RFID Reader** toggle switch.
3. When the devices are connected properly, the Status LED will light up green.

#### <Note>

Make sure the Connect-Mode LED is turned off (Wired connect mode) before connecting the devices.

## Connect with PM30 (Bluetooth)

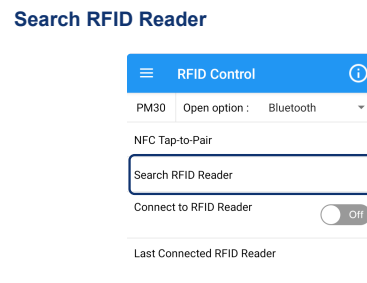


1. Change to Bluetooth connect mode by pressing connect mode change button.  
(Connect-Mode LED = Solid red)
2. Change **Open option** to **Bluetooth** in RFID Control and tap **NFC Tap-to-Pair**.
3. Bring PM30 close to RF300 as the figure above.
4. Check if the Status LED lights green.

#### <Note>

If RF300 is already connected as wired connection, disconnect it before changing connect mode.

## Connect with PM30 (Bluetooth)



1. Change to Bluetooth connect mode by pressing connect mode change button.  
(Connect-Mode LED = Solid red)
2. Change **Open option** to **Bluetooth** in RFID Control and tap **Search RFID Reader**.
3. Select an RF300 to connect.
4. Check if the Status LED lights green.

#### <Note>

If RF300 is already connected as wired connection, disconnect it before changing connect mode.

## Read RFID Tag



1. Connect RF300 with PM30.
2. Aim the RF300 to the RFID tag.
3. Press the trigger button of RF300 or tap **Read RFID Tag** button of RFID Demo app to read RFID tag.